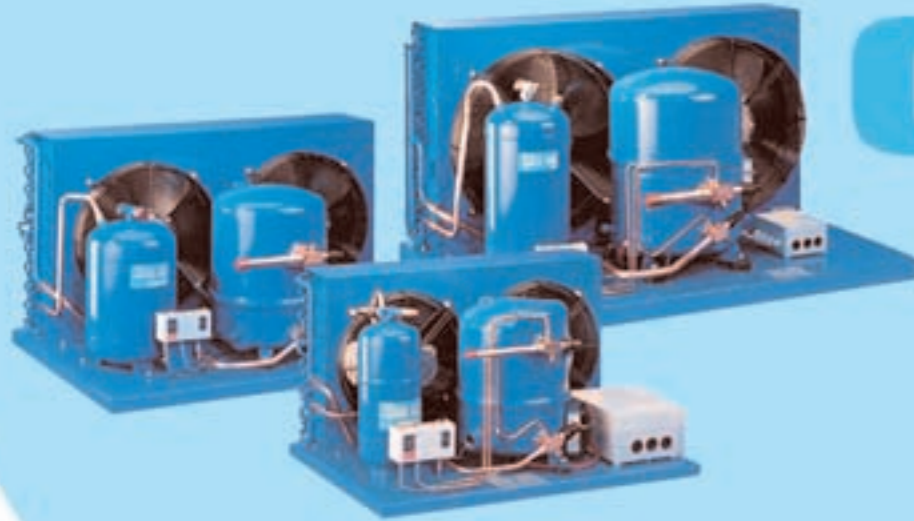


# nationwide customer care



## Mission Statement

We firmly believe that Quality is measured by our total commitment to customers in finding innovative solutions, fulfilling their expectations, providing continuous service support and, most important of all, in being a reliable supplier at all times.



**ISF Industries (Private) Limited**

15B/1, SIDCO Industrial Estate,  
Ambattur, Chennai 600 098, INDIA.  
Phones : +91 44 26242907, 26524512, 26524513.  
Fax : +91 44 26245024.  
Mail IDs : md@isfindustries.com; sales@isfindustries.com

[isfindustries.com](http://isfindustries.com)

## preserving the bounty of nature...



D I R E C T   E X P A N S I O N   C O O L I N G   T A N K S



**ISF Industries (Private) Limited**

**Successful presence in the global market...  
Energy-efficient... superior-quality milk...  
Direct Expansion Cooling Tanks that  
cool milk to 4°C in just under 3 hours  
in conformance to ISO 5708.**



**CLOSED HORIZONTAL TYPE**  
3000 • 5000 • 8000 litres  
2 compressors  
380V, 50Hz

**COOLING EQUIPMENT**

Hermetically-sealed cooling units with power adapted to performance requirements according to ISO 5708 standards. Compact and separate condenser and compressor for efficient milk cooling.



**OPEN HORIZONTAL TYPE**  
500 • 1000 • 2000 litres  
single or 2 compressors  
230V/380V, 50Hz

**FEATURES**

Energy-efficient cooling, easy maintenance, hygienic design, robust construction.



**VERTICAL TYPE**  
200 • 300 • 500 litres  
230V, 50Hz

**TANK DESIGN**

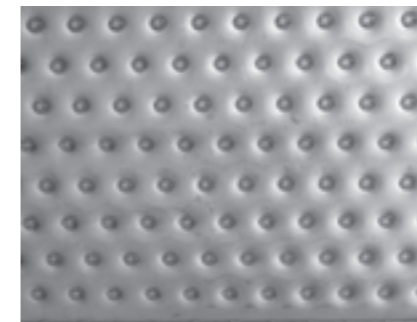
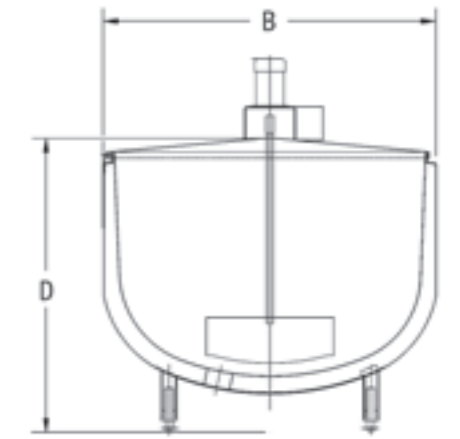
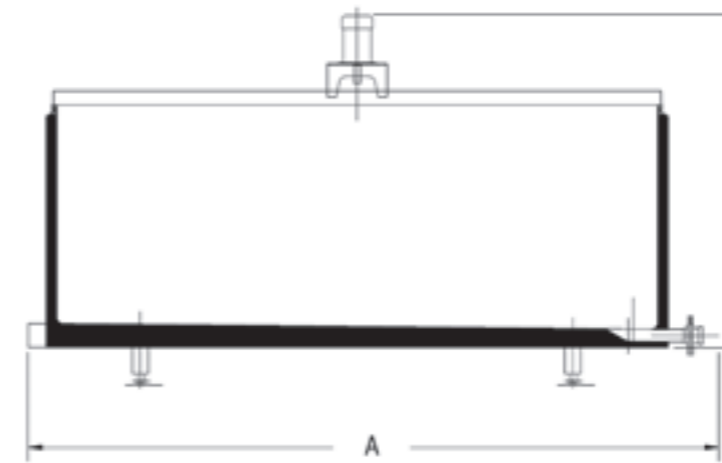
Cylindrical, semi-cylindrical and circular vertical types with self-supporting structure, sandwiched with high-density, CFC-free insulation and austenitic stainless steel AISI 304 walls. Full flow evaporator. Manhole of diameter 450mm with easy access by fixed stainless steel ladder.

**SALIENT FEATURES**

- Over-current relay for cooling unit
- Safety cooling switch
- Exact calibration with dip-stick
- CIP cleaning with Rotary Spray Ball
- Quick coupling on milk outlet valve
- High pressure/Low pressure cut-off
- Auto mode temperature controller
- Single-phasing prevention
- Low voltage protection
- Control protection by fuse

**Available in R22, R404A & R134A**

Capacities from 500 to 2000 litres

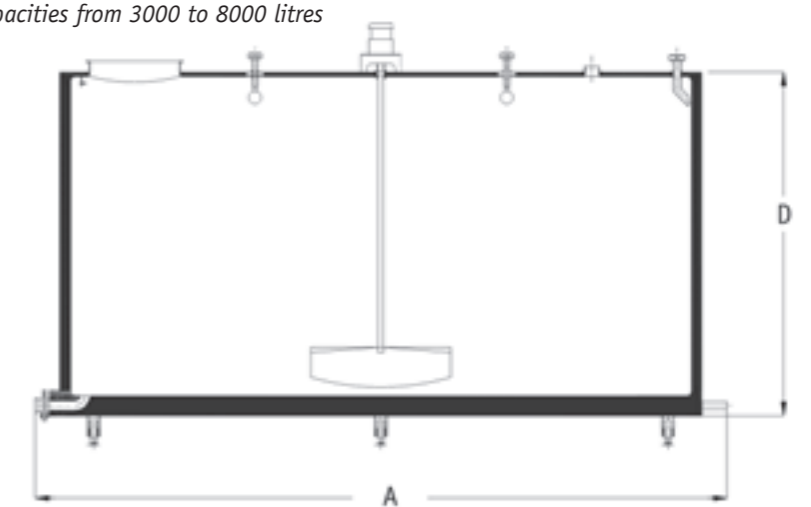
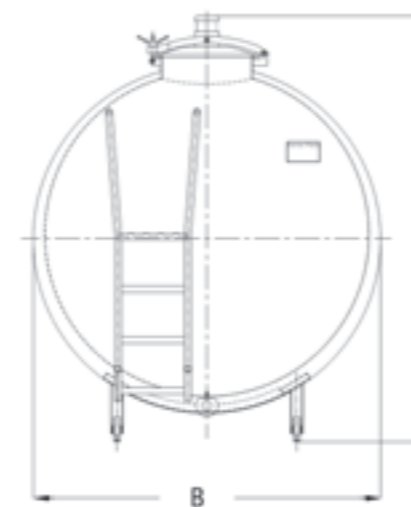


Longer evaporator life with laser welding technology.

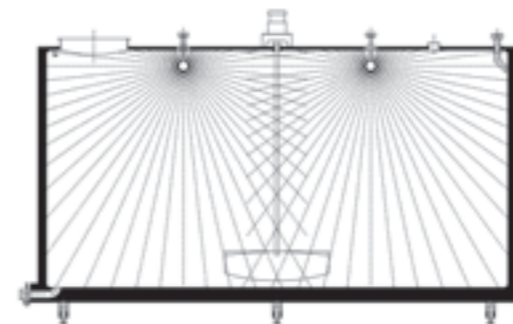
Cooling Tank assembly dimensions - 500 to 2000 litres

CAPACITY	A Length	B Width	C Overall height	D Height of the Tank
in litres	in millimetres			
500	1650	1010	1200	850
1000	2500	1200	1260	950
2000	2500	1500	1500	1200

Capacities from 3000 to 8000 litres



Cleaning Device



Cooling Tank assembly dimensions - 3000 to 8000 litres

CAPACITY	A Length	B Width	C Overall height	D Height of the Tank
in litres	in millimetres			
3000	2850	1525	1950	1670
5000	3400	1750	2150	1890
8000	3900	1900	2430	2030

ISF INDUSTRIES SPEARHEADING THE WHITE REVOLUTION ISF INDUSTRIES SPEARHEADING THE WHITE REVOLUTION ISF INDUSTRIES SPEARHEADING THE WHITE REVOLUTION ISF INDUSTRIES SPEARHEADING THE WHITE REVOLUTION ISF INDUSTRIES SPEARHEADING THE WHITE REVOLUTION

**World-class direct-expansion cooling tanks in a range of capacities**